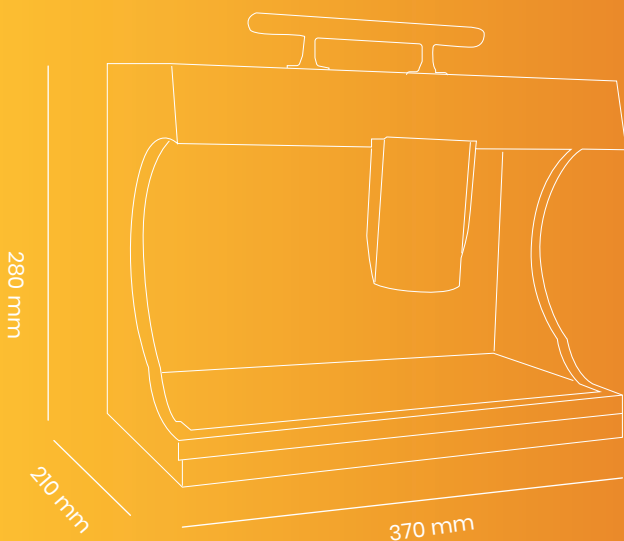


SHOE SHINE MACHINE

MODEL: NTSM3



Cabinet	Stainless Steel #304
Voltage	220 V / 50 Hz / 1Ph
Rated Power	40 W
Speed	1400 RPM
Operation	Infrared Sensor Type
Time Protection	1 Minute auto cut off
Cream Capacity	200 ml dispenser
Brush	Brown & Black with soft and hard bristles
Dimensions	280x370x210 mm