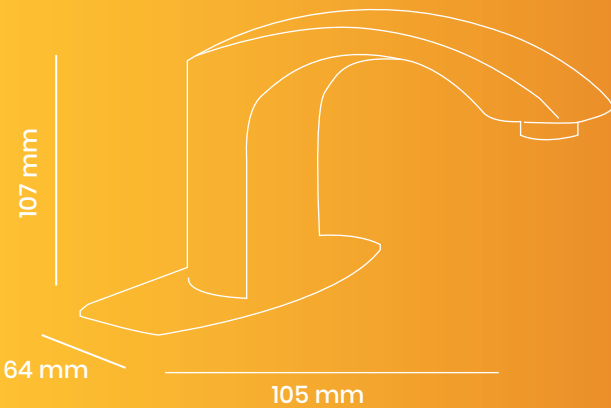


SENSOR TAP



MODEL: NTT01

Outer Finish	Chrome Plated
Operation	Infrared Sensor
Control Box	Diameter of 'Inlet' pipe: G1/2"
Control Box	Diameter of 'Outlet' pipe: G1/2"
Water Pressure range	0.75 (min) = 7 Bar
Dual Operation	Electrical + Battery
Voltage	220W / 50Hz
Battery Consumption	4 AA Alkaline Battery
Power Consumption	0.3 mW
Sensing Range	10 cm - 20 cm
Flow Rate	1.0L - 1.5L/min
Dimension	64x105x107 mm

Flexible Supply hose.